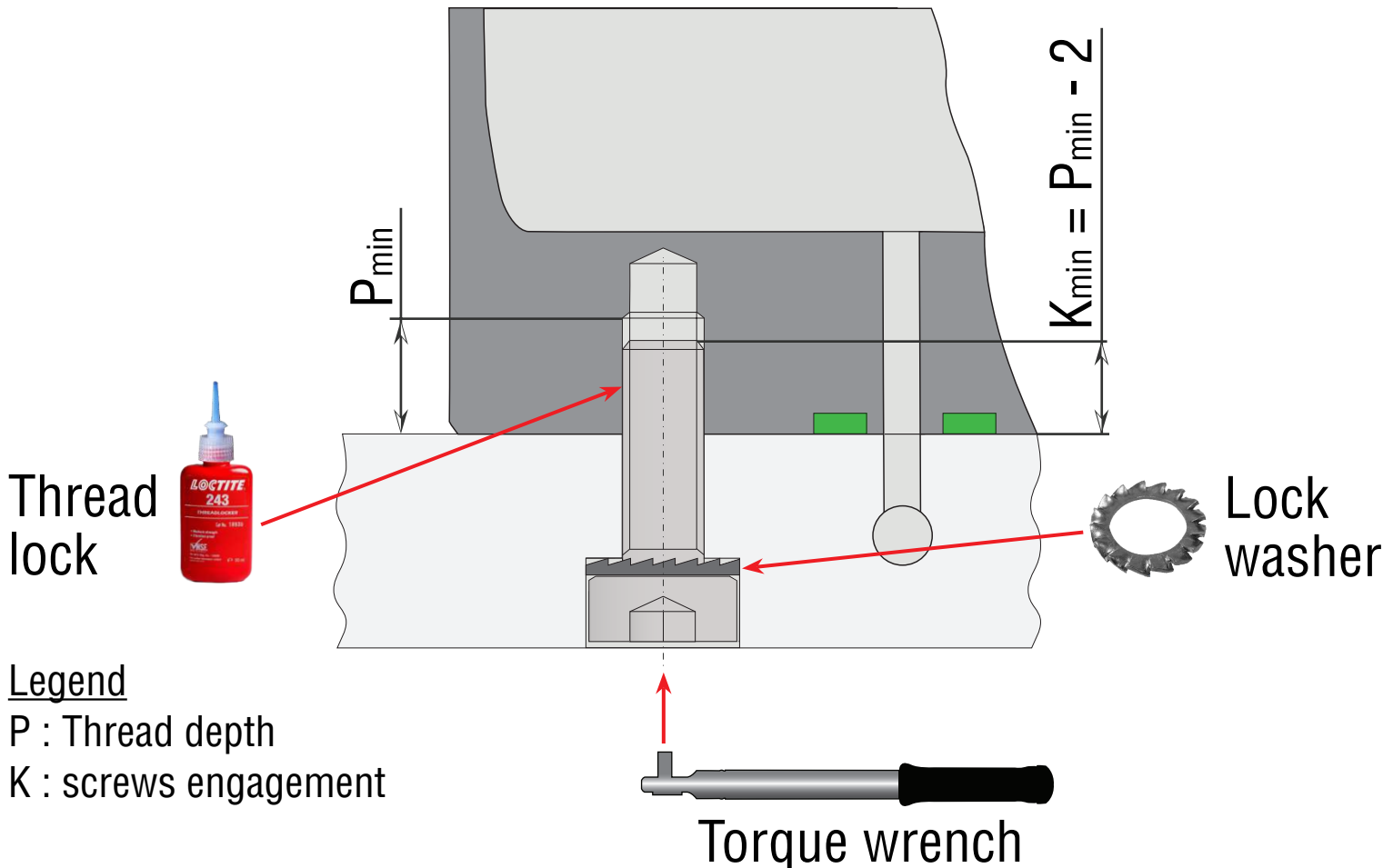


EASY MANIFOLD - ALL models FIXING GUIDELINE



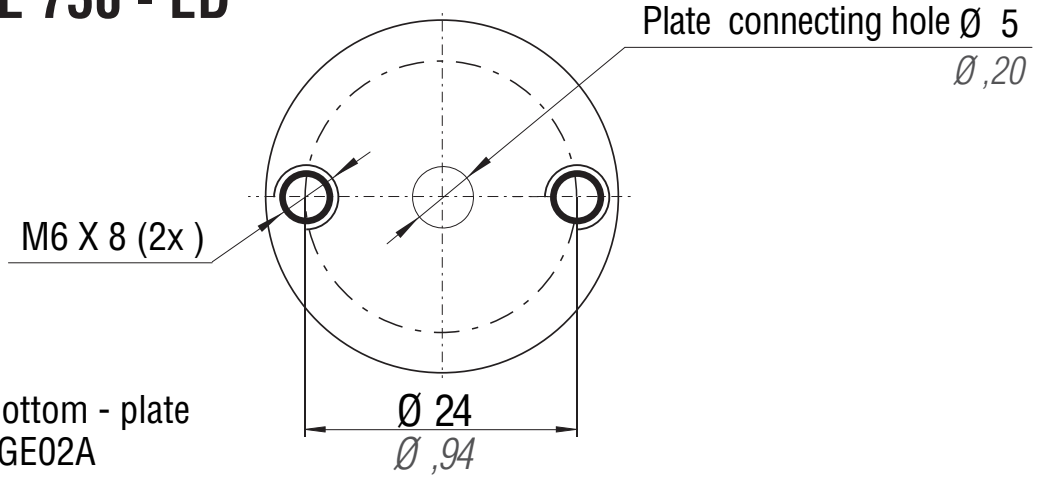
ADVICES

- The use of screws of higher class than 8.8, such as 9.8, 10.9, is always allowed.
- DO NOT EXCEED the fixed values of torque indicated for class 8.8, in any other class of screws used.
- ALWAYS use lock washers DIN 6798A on cylinders and panels.
- ALWAYS use thread lock on cylinders and panels (Loctite 243 type).
- ALWAYS engage thread as much as possible at least K_{min} .
- ALWAYS use the fixing holes provided.

KE - ED series (easy manifold)

NEW model KE 750 - ED

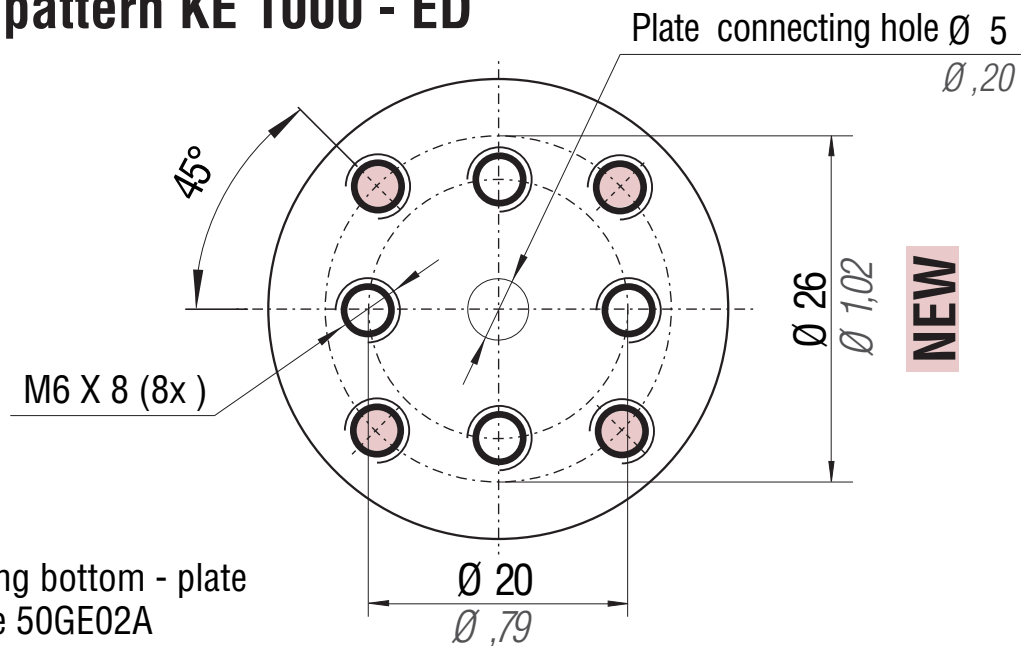
bottom view



 connecting bottom - plate
seal code 50GE02A

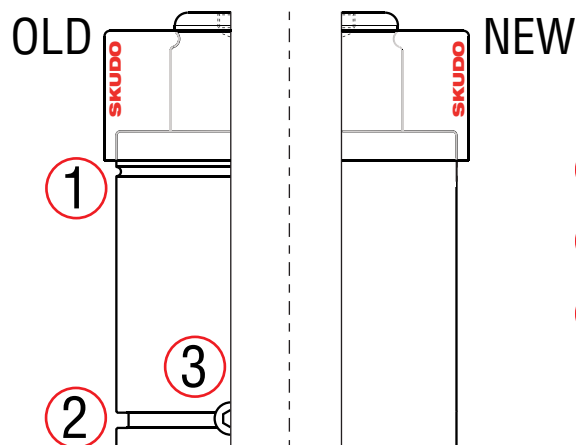
NEW fixing pattern KE 1000 - ED

bottom view



 connecting bottom - plate
seal code 50GE02A

NEW body design - ED series - ALL models



- ① No upper groove
- ② No lower groove
- ③ No side charging port