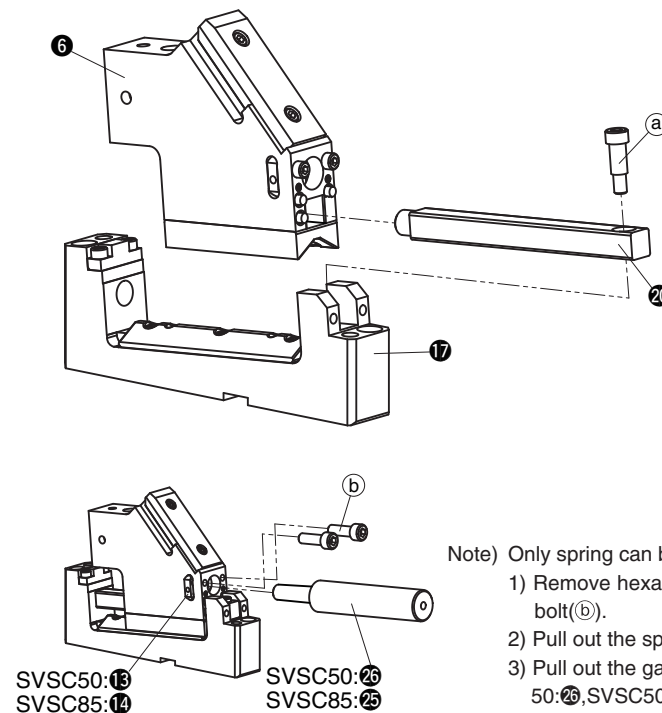


- SVSC complies with the VDI-BAK specification.
 - Specification of Guide Plate complies with VDI3357.
 - Specification of Gas Spring complies with VDI3003.
 - V-shaped guides.
 - 50, 85, 110, 150, 220, 330mm and 400mm mounting widths are available.
 - Available angle are 0° to 20° in increments of 5°.
 - Designed to facilitate easy removal of gas spring. (Disassembly of cam is unnecessary)
 - Heavy duty type : high working force / return force.
- Made-to-order product.

SVSC Specifications

Mounting Surface		Working Angle	Travel	Working Force kN(tonf)
W	H			Standard Working Force (one million strokes)
50	75		55	29.4(3.0)
85	85			58.8(6.0)
110		00	70	117.7(12.0)
		05		
150	110	10		
		15		
220		20		245.2(25.0)
330			80	343.2(35.0)
400	180			

SVSC50/85 Structure and Assembly / Disassembly



- Note) Only spring can be removed.
- 1) Remove hexagon socket head bolt (b).
 - 2) Pull out the spring stopper (13).
 - 3) Pull out the gas spring (SVSC 50:26, SVSC50:25).

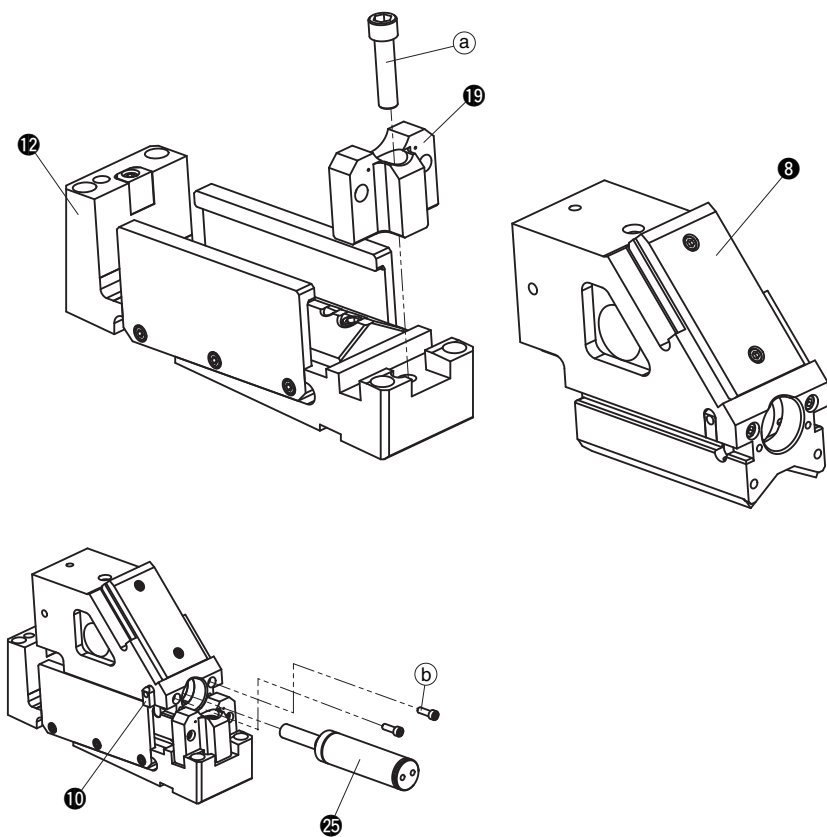
Disassembly method of SVSC50/85

- 1) Remove hexagon socket head bolt (a) and pull guide bar (20) from cam holder (17) 20mm to the rear. Remove the guide bar and cam slider (20, 6).
- 2) Pull and remove the guide bar from the cam slider.

Assembly method of SVSC50/85

- 1) Assemble components in the reverse order of disassembly.
 - Make sure that there is no foreign material on the sliding area and assemble components.
 - The clearance between the guide bar / cam slider and the cam holder is adjusted. Match the stamped serial number on the holder and slider before assembly.
 - After reassembling, please ensure that all bolts removed are re-installed and tightened.

■SVSC110/150/220/330/400 Structure and Assembly / Disassembly



● Disassembly method of SVSC110/150/220/330/400

- 1) Remove hexagon socket head bolt (a) and remove stopper plate (19).
- 2) Pull and remove the cam slider (8) from the cam holder (12) to the rear.

● Assembly method of SVSC110/150/220/330/400

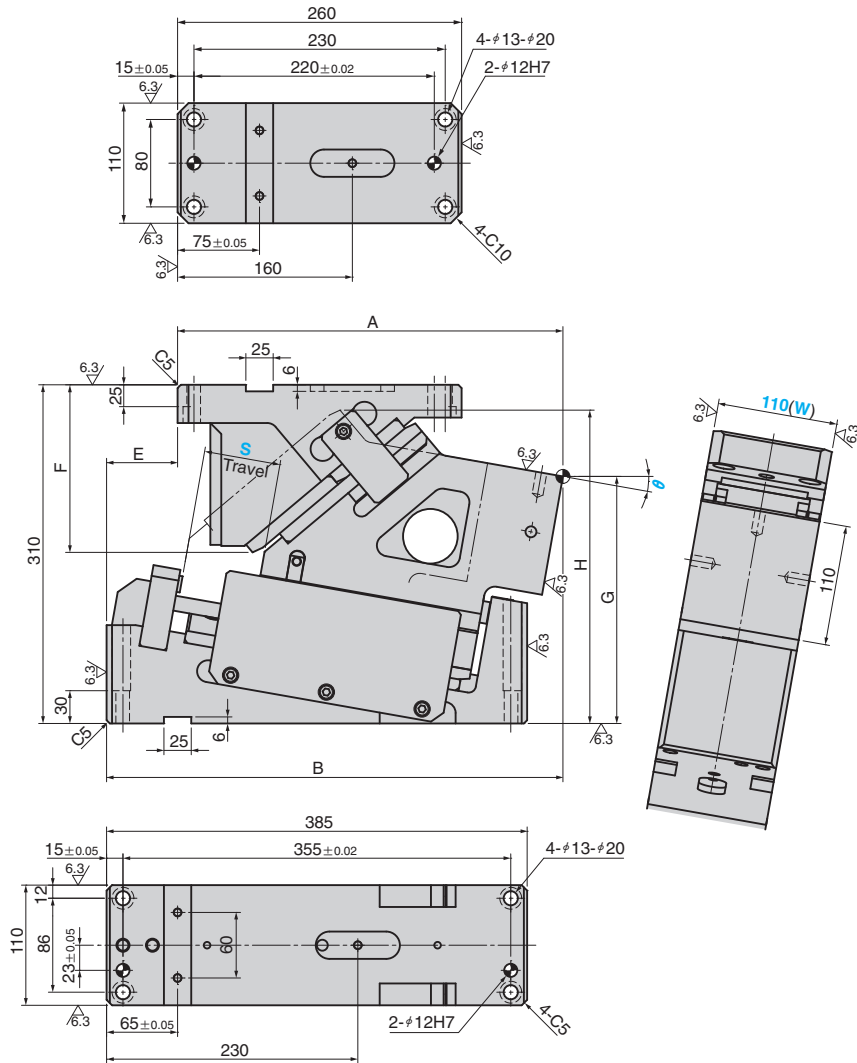
- 1) Assemble components in the reverse order of disassembly.
 - Make sure that there is no foreign material on the sliding area and assemble components.
 - The clearance between the guide bar / cam slider and the cam holder is adjusted. Match the stamped serial number on the holder and slider before assembly.

※ This figure shows SVSC110

Note) Only spring can be removed.

- 1) Remove hexagon socket head bolt (b).
- 2) Pull out the spring stopper (10).
- 3) Pull out the gas spring (25).

SVSC110 (00°~20°)



θ	A	B	E	F	G	H
00	360.00	385.00	25	177.8	250.00	274.3
05	361.59	401.59	40	168.5	235.56	278.2
10	352.76	417.76	65	153.4	226.13	286.8
15	353.41	428.41	75	138.7	215.75	294.0
20	348.46	438.46	90	124.7	204.47	299.6

kN(tonf) Standard Working Force (one million strokes)	Cam Slider Weight kg	Total Weight kg	Catalog No.	(W)	θ	Travel S	Spring Type PS
117.7 (12.0)	28.7	70.4	SVSC	110	00	70	GK GD NGP* GS
		70.3			05		
		71.1			10		
		73.0			15		
		74.9			20		

Order **Catalog No.** **W** - **θ** - **S** - **PS**
SVSC 110 - 10 - 70 - GK

*Without gas spring but accessories for installation are included.

Spring Specification(Qty 1)

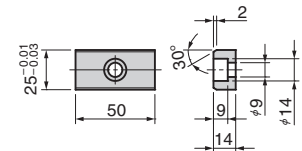
Gas Spring(Standard)				Gas Spring(Power option "V")			
Spring Type PS	Spring Force N(kgf)		Model	Spring Type PS	Spring Force N(kgf)		Model
	Initial Force	Final Force			Initial Force	Final Force	
GK	-	6700 (683.7)	TU500-080(KALLER)	GK	-	11900 (1214.3)	X750-080(KALLER)
GD	-	6100 (622.4)	90.10.00500.080(DADCO)	GD	-	11360 (1159.2)	U.0800.080(DADCO)
GS	-	6600 (673.5)	SPF.500.80(SDT)	GS	-	12150 (1239.8)	SFC.750.80(SDT)

* Power gas spring available. Please contact us for details.



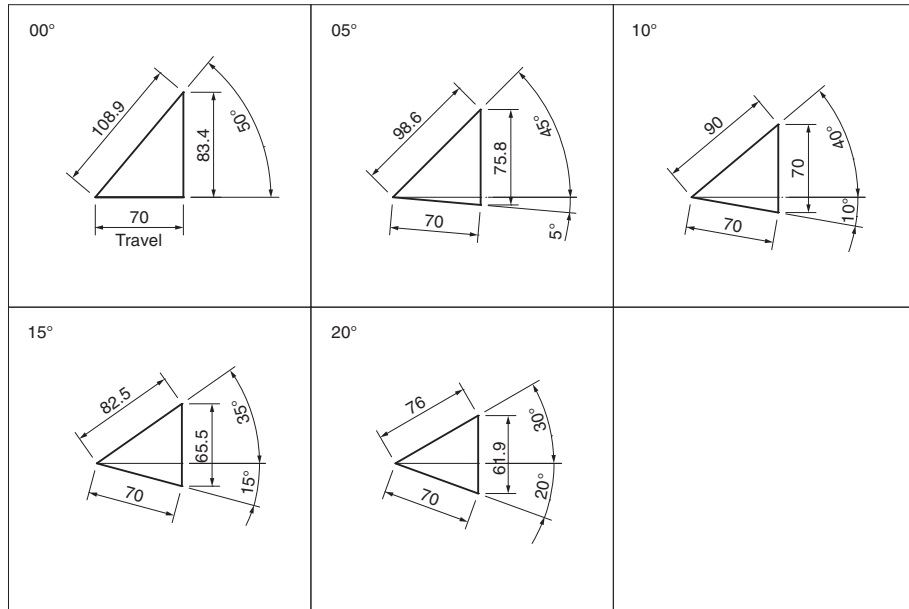
Option Code	Specification
K	Dedicated key is attached. (It is not assembled to the main unit)
NF	Nitrogen gas is not charged. Applicable to GK,GS and GD only.
V	Gas Spring is changed to Power type.

Key Specification(Option) (Qty 6 with M8×15 bolt)



Order **SVSC110 - 10 - 70 - GK - NF - K**
SVSC110 - 10 - 70 - GK - V

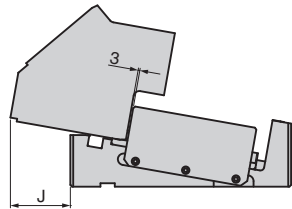
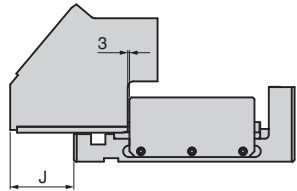
Cam Diagram



Required space for removing

Working Angle 00°

Working Angle 05°~20°



Working Angle	J
00°	111
05°	109
10°	105
15°	101
20°	94

Table of Components

No.	Description	Qty	Material and Remark	No.	Description	Qty	Material and Remark
①	Cam Driver	1	GGG60(FCD600)	⑬	Spring Block	1	S45C HRC55~
②	Slide Plate	1	Bronze With Graphite(VSM-32-SP2)	⑮	Cam Slide Guide(Lower)	1	S45C HRC55~
④	Slide Plate	1	Bronze With Graphite(VSM-31-SP2)	⑱	Keeper Plate	2	S45C HRC28~
⑤	Cam Positive Return	2	S45C HRC28~	⑲	Cam Slider Stopper	1	S45C
⑦	Cam Slider	1	GGG60(FCD600)	⑳	Stopper	2	Urethane
⑧	Slide Plate	1	SCM440(VSM-64-ST01)	㉑	Stopper	1	Urethane
⑨	Slide Plate	2	Bronze With Graphite(VSM-20-SP2)	㉒	Lock Spacer	2	SS400
⑩	Spring Stopper	2	S45C	㉓	Gas Spring	1	Refer to the Spring Specification Table.
⑫	Cam Holder	1	GGG60(FCD600)				

