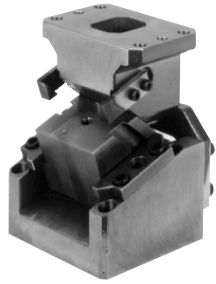


Die Mounted Cam Unit SKCA

Die Mounted Cam Unit

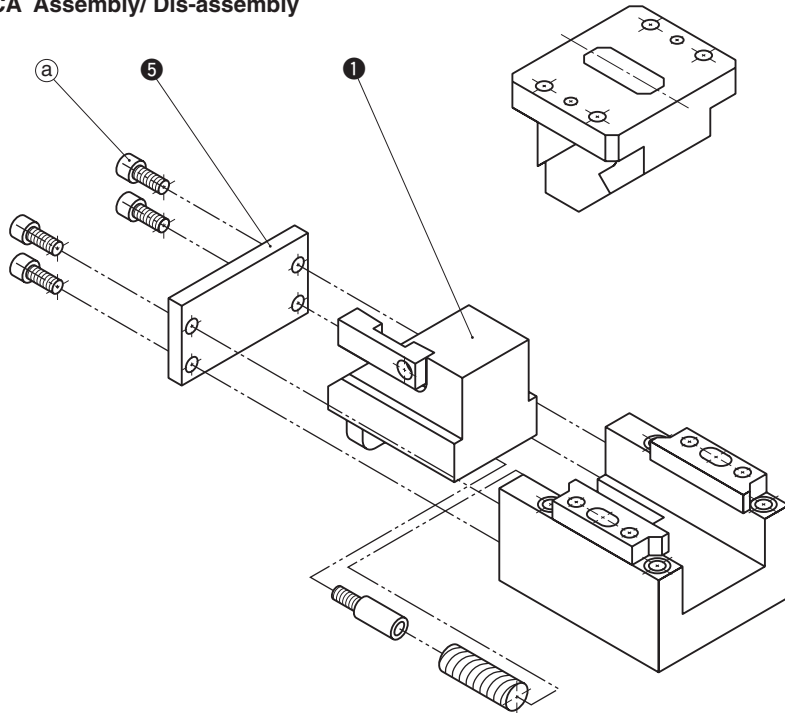


- Mounting surface widths 52, 65, 100, 150, 200, 200, 250, 300 mm
- Working angles from 0° to 20° in 5° increments for the mounting surface widths 65 to 150 mm
- The Box-type holder provides high rigidity

⚠ Gas Spring:

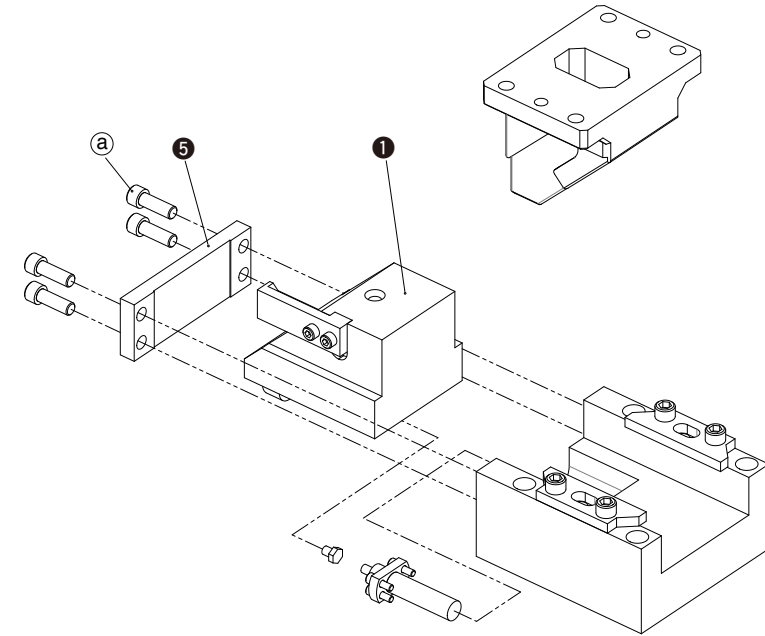
Please contact your local sales representative, if you prefer to use a gas spring not specified in our catalog. For use and maintenance of gas spring, please contact the manufacturer directly.

■ SKCA Assembly/ Dis-assembly



Coil Spring Specification

Technical Information



Gas Spring Specification

● Disassembling SKCA

- 1) Remove Hexagon Socket Head Bolts (a) and Stopper Plate (5).
- 2) Pull out Cam Slider from Cam Holder.

● Re-assembly

Reassembly is the reverse procedure of disassembly.

NOTES:

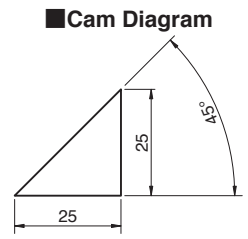
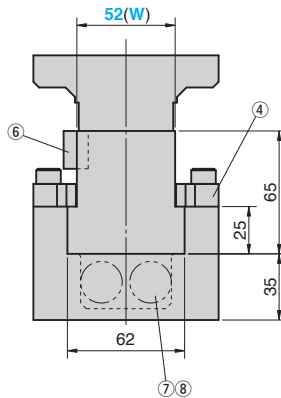
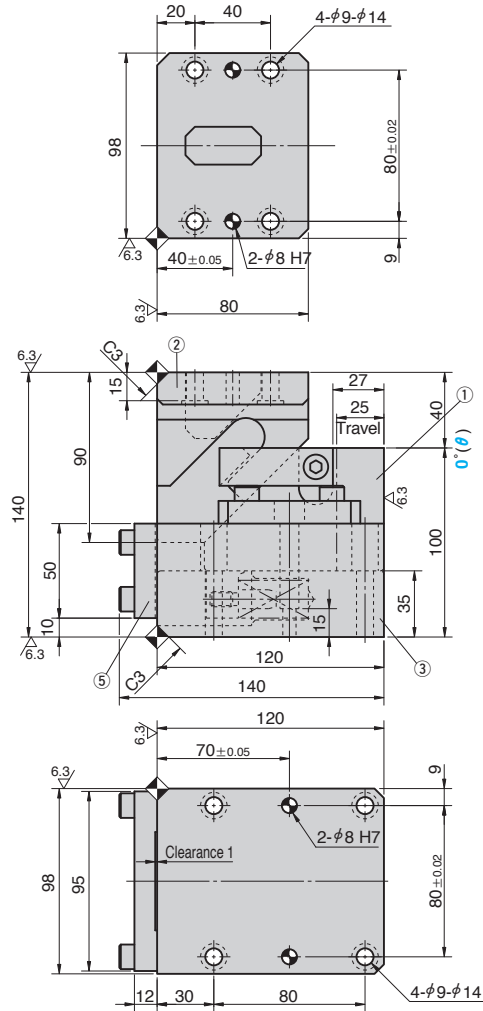
- Ensure that all parts are clean, particularly the sliding components, to which a small amount of grease is applied and is then placed in position.
- Take care that the respective tolerances are observed when assembling the Cam Slider and Cam Holder, which also should be identified by the same serial number.
- All bolts shall be tightened to the recommended torque after assembly and dis-assembly.

Die Mounted Cam Unit

FOR PIERCE

CAD
FILE

SKCA52 - 00 - 25



Working Force kN(tonf)		Spring Force N(kgf)		Total Weight kg	Catalog No.	(W)	(θ)	Travel S
1,000,000 strokes	300,000 strokes	Initial Load	Final Load					
14.7 (1.5)	29.4 (3.0)	144.3 (14.7)	595.3 (60.7)	8.0	SKCA	52	00	25

Order **Catalog No.** SKCA - **(W)** 52 - **(θ)** 00 - **S** 25

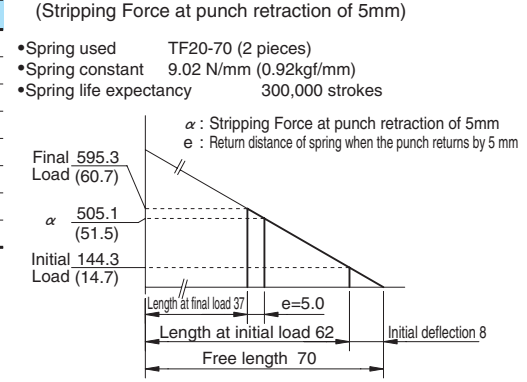
Option See page 389 for specifications of tapped and dowel pin holes for mounting a retainer.

Table of Components

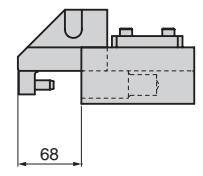
No.	Description	Qty	Material and Remark
①	Cam Slider	1	FC250 with Graphite
②	Cam Driver	1	FC250 with Graphite
③	Cam Holder	1	FC250
④	Upper Plate	2	S45C Copper Powder Sintered
⑤	Stopper Plate	1	SS400(1020)
⑥	Positive Return Follower	1	S45C(1045)
⑦	Spring Guide Pin	2	φ10×35
⑧	Coil Spring	2	TF20-70

Bolts for assembly are not indicated.

Spring Diagram



Space for removing

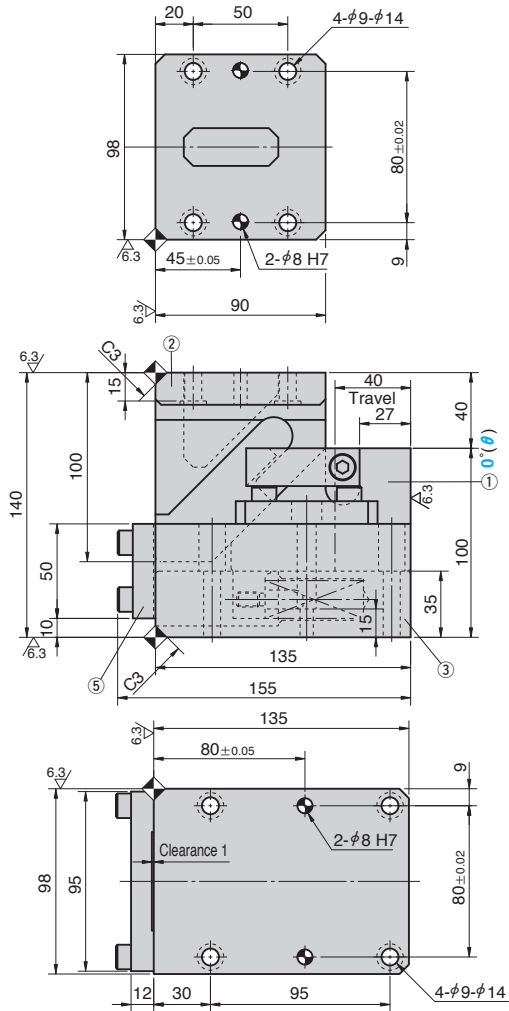


Die Mounted Cam Unit

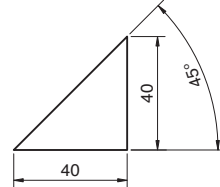
FOR PIERCE

CAD
FILE

SKCA52 - 00 - 40



Cam Diagram



Working Force kN(tonf)		Spring Force N(kgf)		Total Weight kg	Catalog No.	(W)	(θ)	Travel S
1,000,000 strokes	300,000 strokes	Initial Load	Final Load					
14.7 (1.5)	29.4 (3.0)	101.0 (10.2)	605.8 (61.4)	8.0	SKCA	52	00	40

Order **Catalog No.** **(W)** - **(θ)** - **S**
SKCA 52 - 00 - 40

Option See page 389 for specifications of tapped and dowel pin holes for mounting a retainer.

Table of Components

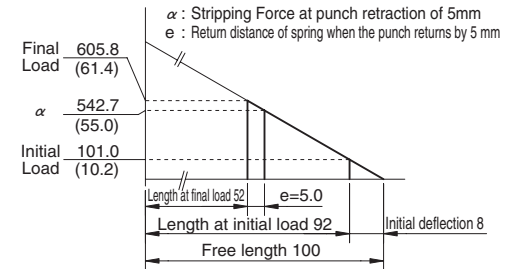
No.	Description	Qty	Material and Remark
①	Cam Slider	1	FC250 with Graphite
②	Cam Driver	1	FC250 with Graphite
③	Cam Holder	1	FC250
④	Upper Plate	2	S45C Copper Powder Sintered
⑤	Stopper Plate	1	SS400(1020)
⑥	Positive Return Follower	1	S45C(1045)
⑦	Spring Guide Pin	2	φ10×35
⑧	Coil Spring	2	TF20-100

⚠ Bolts for assembly are not indicated.

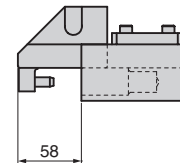
Spring Diagram

(Stripping Force at punch retraction of 5mm)

- Spring used TF20-100 (2 pieces)
- Spring constant 6.31 N/mm (0.64kgf/mm)
- Spring life expectancy 300,000 strokes



Space for removing

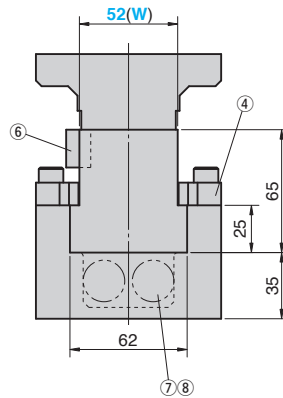
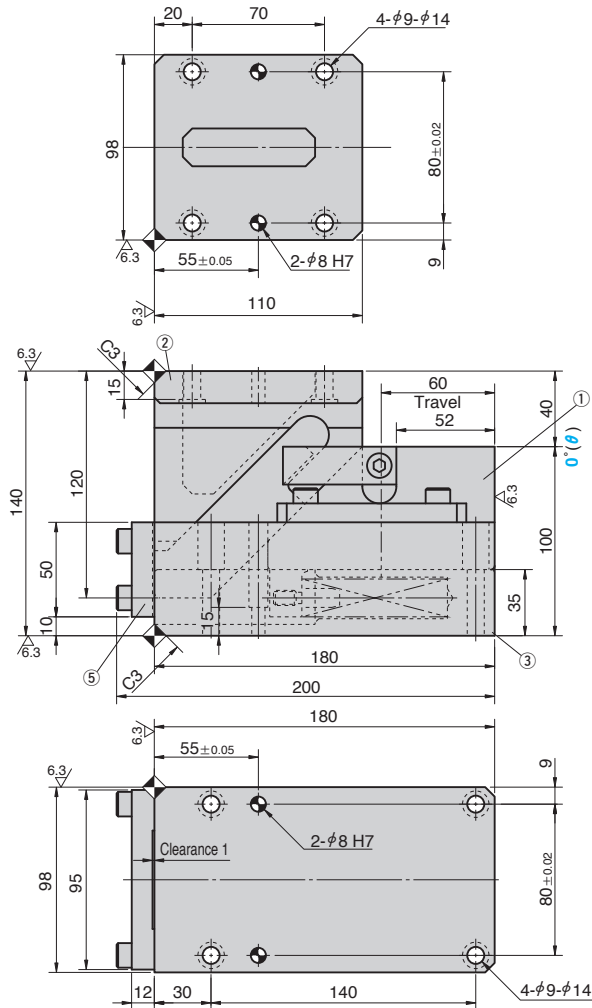


Die Mounted Cam Unit

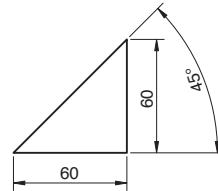
FOR PIERCE

CAD
FILE

SKCA52 - 00 - 60



Cam Diagram



Working Force kN(tonf)		Spring Force N(kgf)		Total Weight kg	Catalog No.	(W)	(θ)	Travel S
1,000,000 strokes	300,000 strokes	Initial Load	Final Load					
14.7 (1.5)	29.4 (3.0)	109.5 (11.2)	614.7 (62.8)	14.0	SKCA	52	00	60



Order

Catalog No. (W) - (θ) - S
SKCA 52 - 00 - 60



Option

See page 389 for specifications of tapped and dowel pin holes for mounting a retainer.

Table of Components

No.	Description	Qty	Material and Remark
①	Cam Slider	1	FC250 with Graphite
②	Cam Driver	1	FC250 with Graphite
③	Cam Holder	1	FC250
④	Upper Plate	2	S45C Copper Powder Sintered
⑤	Stopper Plate	1	SS400(1020)
⑥	Positive Return Follower	1	S45C(1045)
⑦	Spring Guide Pin	2	φ10×35
⑧	Coil Spring	2	TF20-150

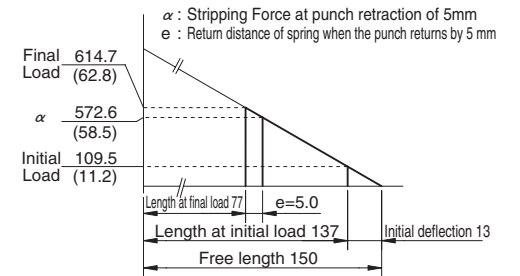


Bolts for assembly are not indicated.

Spring Diagram

(Stripping Force at punch retraction of 5mm)

- Spring used TF20-150 (2 pieces)
- Spring constant 4.21N/mm (0.43kgf/mm)
- Spring life expectancy 300,000 strokes



Space for removing

