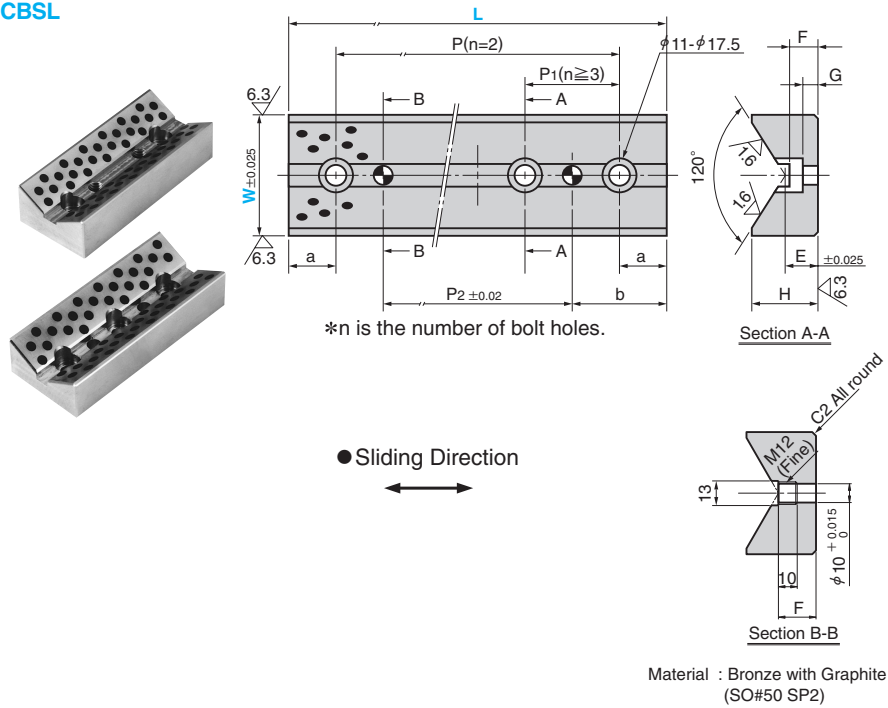


Cam Slide Guides

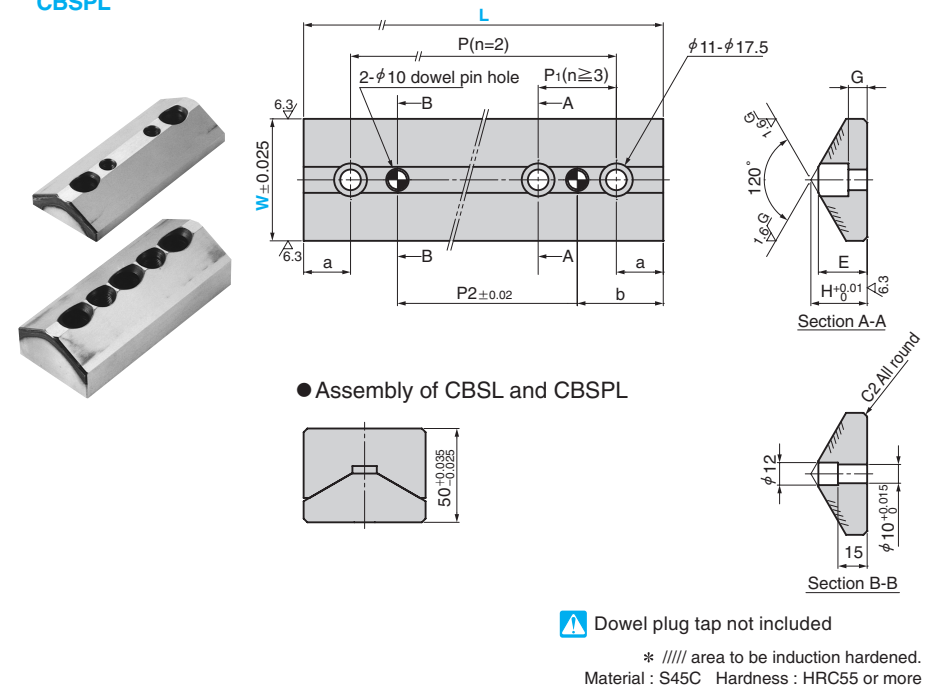
V GUIDE TYPE



CBSL



CBSPL



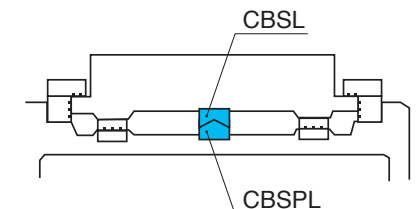
H	a	b	P	P ₁	No. of Bolt Holes n	P ₂	E	F	G	Catalog No.	W	L
37	20	40	60	—	2	20	20	20	10	CBSL	65	100
			75			25						125
	25	50	100	50	150							
			—	75	100	150						200
	250											

Order -

H	a	b	P	P ₁	No. of Bolt Holes n	P ₂	E	G	Catalog No.	W	L
30	20	40	60	—	2	20	26	10	CBSPL	65	100
			75			25					125
	25	50	100	50	150						
			—	75	100	150					200
	250										

Order -

⚠ CBSL must be installed into the upper die, and CBSPL must be installed into the lower die to prevent foreign objects from being trapped between CBSL and CBSPL causing significant galling on these plates.



■ We are ready to accept requests or orders for special parts.