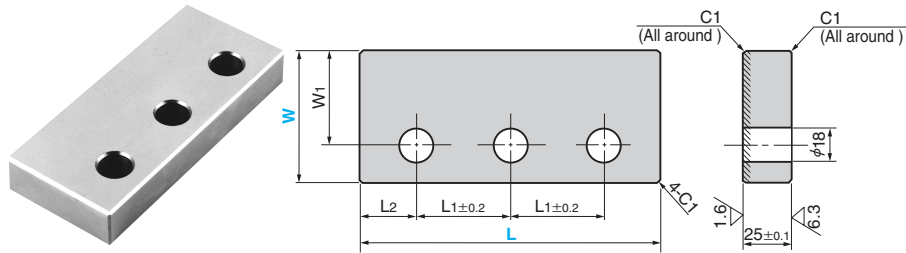


# Cam Gib Plate

SINTERED TYPE

CAD  
FILE

SOPX



● Sliding Direction



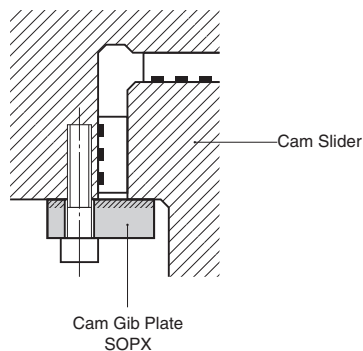
Material : Copper Powder Sintered(SO#220)  
Hatched Area Sintered  
Thickness 1.2 mm or more  
SS400(base plate)

W <sub>1</sub>	L <sub>1</sub>	L <sub>2</sub>	Catalog No.	W	L
	50				160
50	70	30	SOPX	70	200
	85	35			240

Order 

Catalog No.	W	-	L
SOPX	70	-	160

EX Example



This page  
intentionally  
left blank

NOTE: Special orders are available on demand.