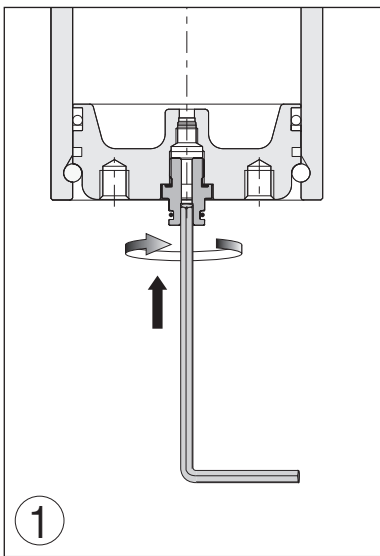


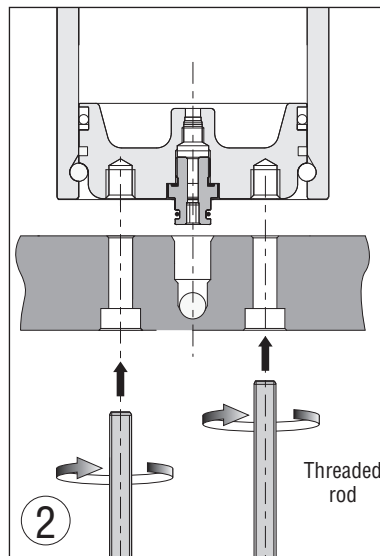
# ML – Easymanifold installation instructions

Since design of ML series is characterized by the presence of a bottom plate bound to the body through a retaining C-ring, the installation of ML series cylinders in Easymanifold configuration, namely linked through a plate, requires some easy operations, for avoiding bottom plate is pushed inside the cylinder body while trying to insert the nipple on the connexion hole of the plate.

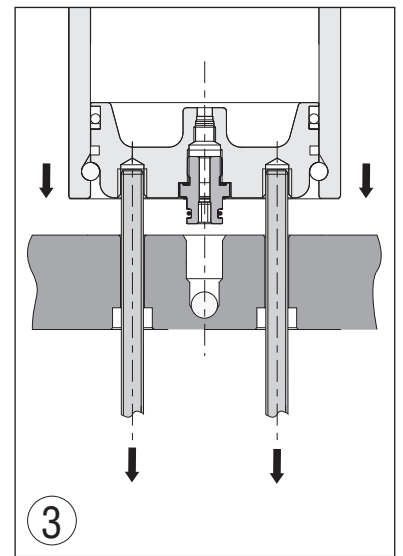
Therefore, we invite you to follow the steps indicated below for an easy and correct positioning and fixing of the cylinder.



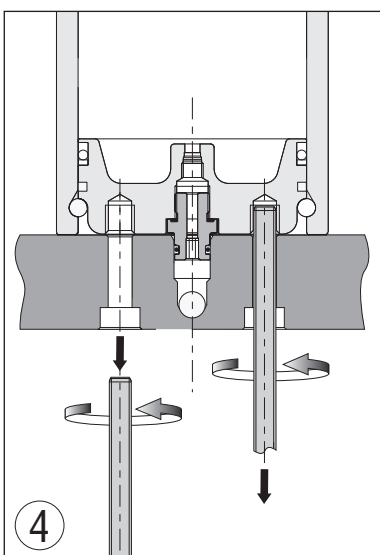
1  
Screw the connecting nipple to the bottom plate.



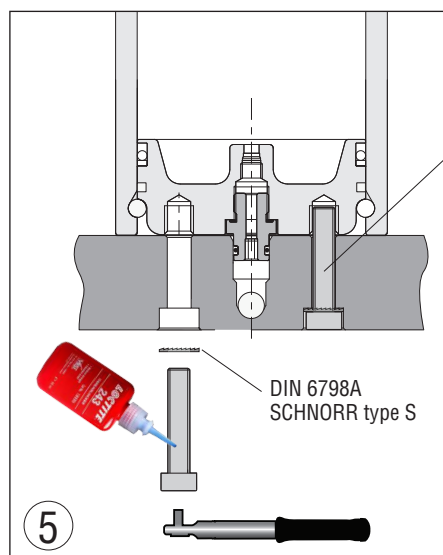
2  
Take two threaded rods of appropriate length and, passing through the holes on the plate, screw them on the bottom plate of the cylinder.



3  
By acting on threaded rods pull down the cylinder to position the nipple in the connection hole.



4  
Remove the threaded rods.



5  
Fix the cylinder with screws of adequate length. Always use threadlocker type Loctite 243, locking washers and dynamometric key. Do not exceed the tightening torque indicated.

Torque force		
M6		max 10,4 Nm
M8	class	max 24,6 Nm
M10	8.8, 9.8,	max 52,4 Nm
M12	10.9, 12.9	max 90 Nm

For any further information on installation, see the instruction sheet provided with each cylinder.