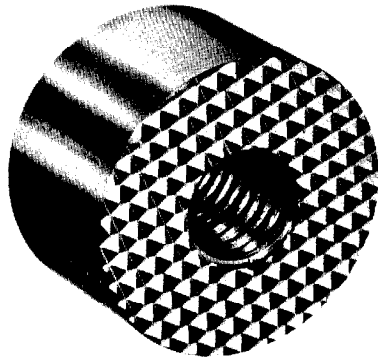


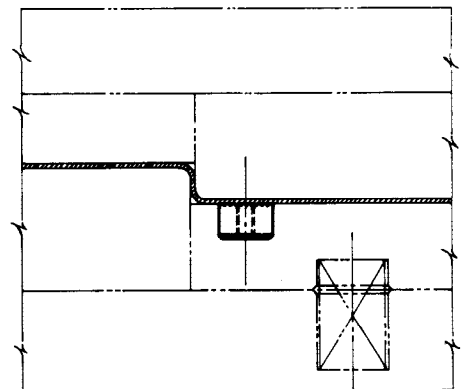
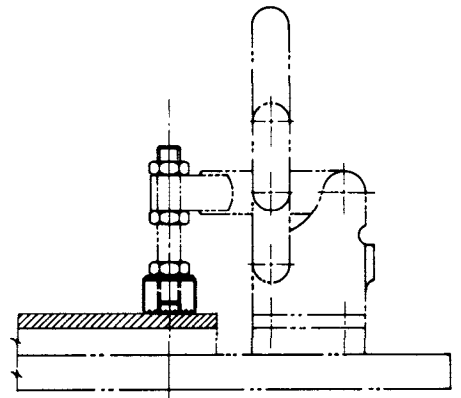
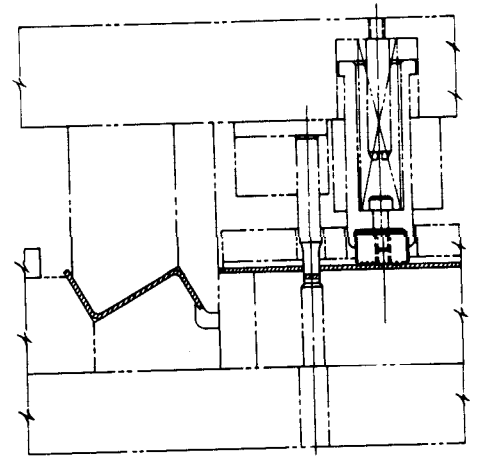
Amcor GRIPPER BUTTONS

FOR MANY POSITIVE
STOCK GRIPPING REQUIREMENTS



With these important advantages

- 1** **LOW COST!** Quantity production brings your cost to a fraction of what it costs you to make your own.
- 2** **PRECISION GROUND DIAMETERS** — For easy installation and replacement. (Provided with jack-screw hole for easy removal).
- 3** **Manufactured of special alloy steel & hardened for LONG POINT WEAR.**
- 4** **Available in (5) sizes and stocked by distributors nationally and in Canada.**



Manufactured by

APPLIED MECHANICS CORP.

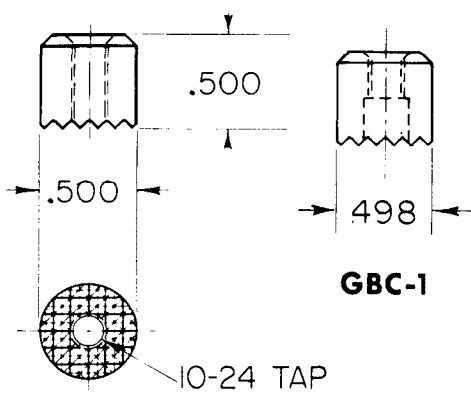
14200 IRONWOOD DRIVE, GRAND RAPIDS, MICHIGAN 49544
616-677-1355 FAX 616-677-5969

SEE REVERSE SIDE FOR TRACING TEMPLATES AND INSTALLATION INSTRUCTIONS

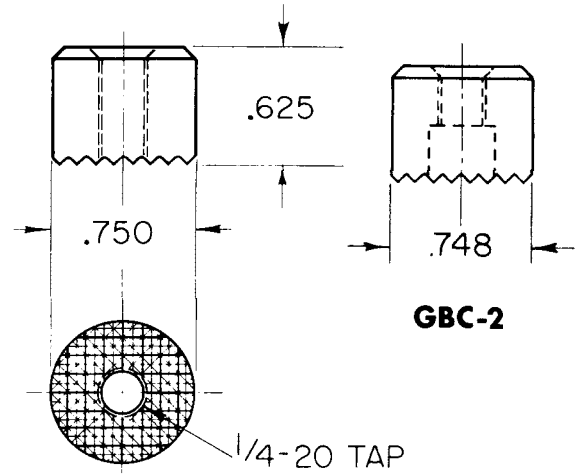


GRIPPER BUTTONS

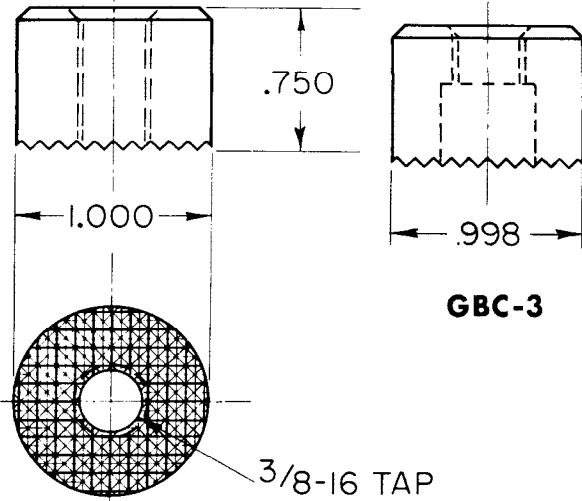
FULL SCALE TRACING TEMPLATES



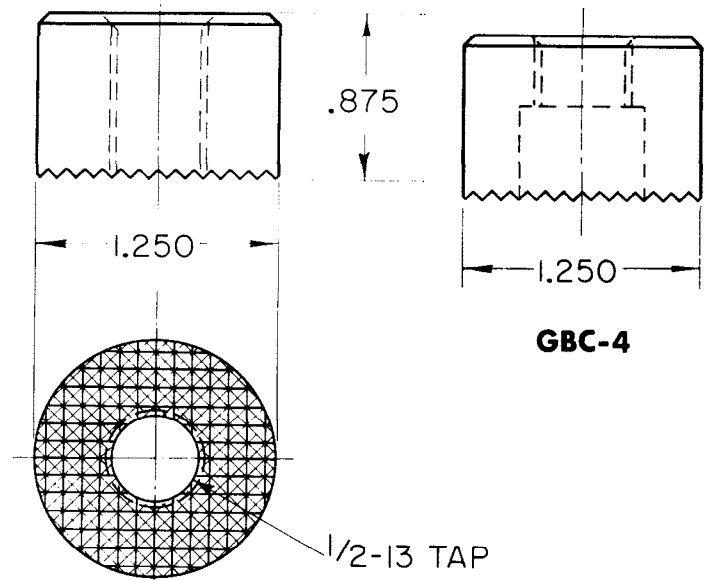
GB-1



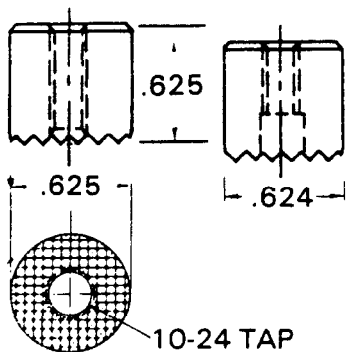
GB-2



GB-3



GB-4



GB-5

GBC-5
COUNTERSUNK
FOR #6 CAP
SCREW

NOTE: AMCOR Gripper Buttons are hardened and Precision ground to specified diameters with tolerances of $+.0002$ to $+.0007$ and lengths are finished to specified dimensions with tolerances of $-.000$ to $+.010$.

SEE SEPARATE PRICE SCHEDULE
GBC SERIES (SAME AS GB SERIES)
D I S T R I B U T E D B Y

APPLIED MECHANICS CORP.

14200 IRONWOOD DRIVE, GRAND RAPIDS, MICHIGAN 49544
616-677-1355

PRINTED IN U.S.A.